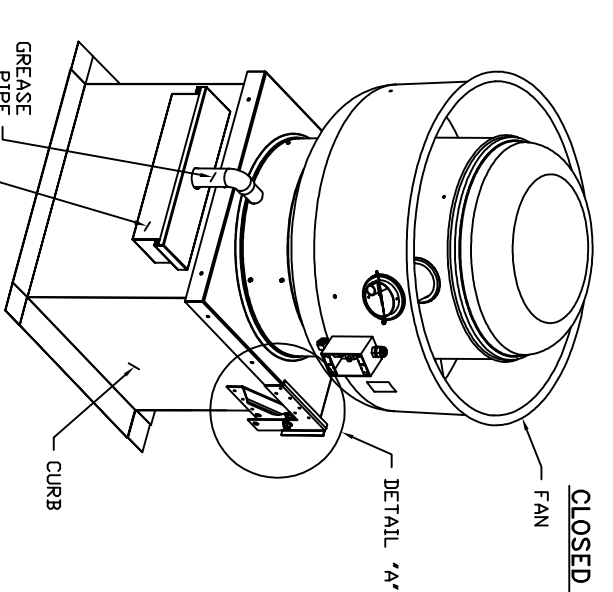
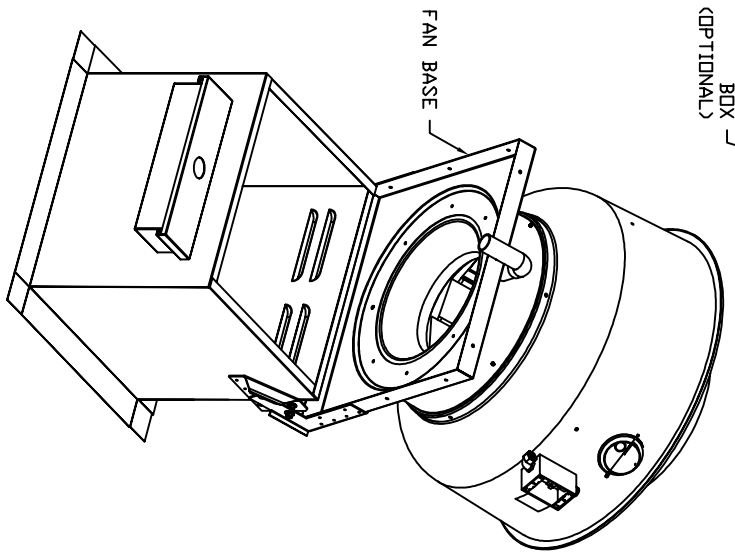


HD HINGE KIT INSTALLATION

CLOSED POSITION

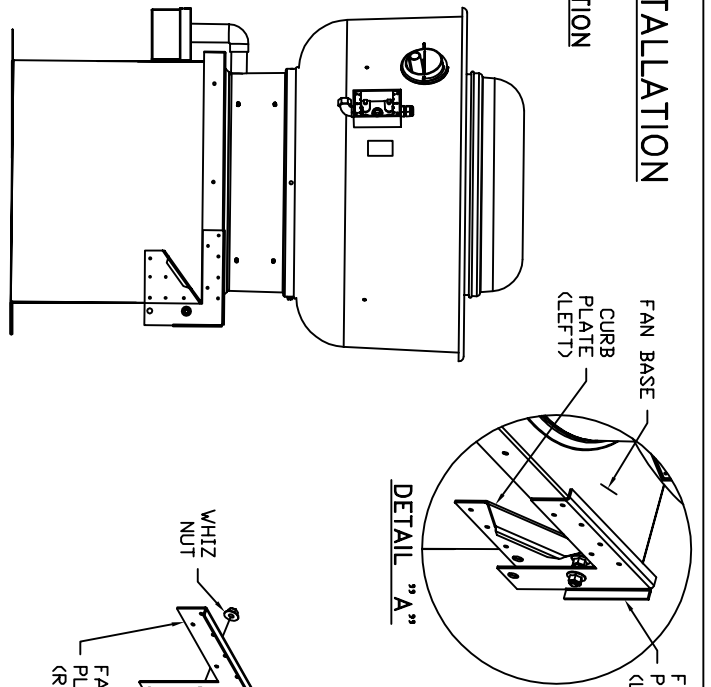


OPEN POSITION



DETAIL "A"

DETAIL "A"



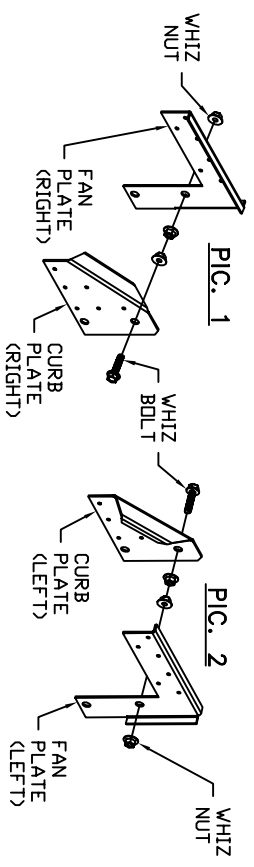
PARTS INCLUDED

- 2 - FAN PLATES (LEFT & RIGHT)
 - 2 - CURB PLATES (LEFT & RIGHT)
 - 2 - WHIZ BOLTS
 - 6 - WHIZ NUTS
- HARDWARE**
- 20 - 1/4"-20 WHIZ BOLTS
 - 20 - 1/4"-20 WHIZ NUTS

HINGE KIT FIELD INSTALLATION

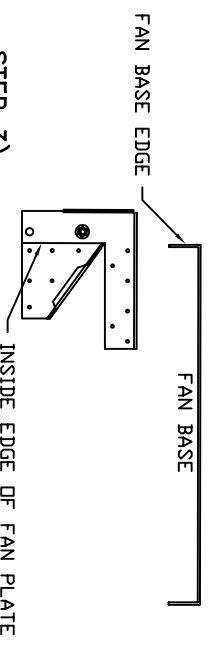
STEP 1)

ASSEMBLE FAN PLATE WITH CURB PLATE AS SHOWN ON PIC. 1 AND PIC. 2 (IF PARTS ARE NOT ASSEMBLED),



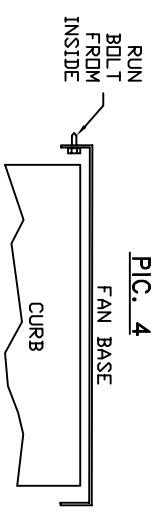
STEP 2)

SEE DETAIL 'A' FOR POSITIONING FAN PLATE ON FAN BASE. LINE UP FAN BASE EDGE TO INSIDE EDGE OF FAN PLATE AS SHOWN ON PIC. 3.



STEP 3)

BOLT THE FAN PLATE TO THE FAN BASE USING (11) 1/4"-20 HARDWARE. NOTE: RUN THE BOLTS FROM INSIDE THE FAN BASE. ALWAYS BE SURE THAT HARDWARE DOES NOT INTERFERE WITH CURB WHEN FAN SWINGS SEE PIC. 4.



STEP 4)

BOLT THE CURB PLATE TO THE CURB USING (9) 1/4"-20 HARDWARE. TIGHTEN NUT AND BOLT ASSEMBLY, ENSURE FAN SWINGS PROPERLY.

ATTENTION!
INSTALLER MUST READ LABEL NEAR DISCONNECT SWITCH! MESSAGE ON LABEL: *INSTALLER SHOULD SUPPLY ENOUGH ELECTRICAL CORD TO LET FAN MAKE COMPLETE SWING*

